



### For fast access to security zones

The systematic control of boarding passes, identity documents and biometrics is an integral part of the customer journey at the airport. With the Momentum<sup>®</sup> series, Magnetic offers airport operators, authorities and system integrators customised gates for all touch points. They speed up checks and allow the flow of people to gain momentum. The mPass pre-security gate is designed to check boarding passes and biometric features. The acceleration takes place in several areas: the 200,000 times proven drive and control units ensure extremely low opening and closing times for the barrier elements. A large number of light

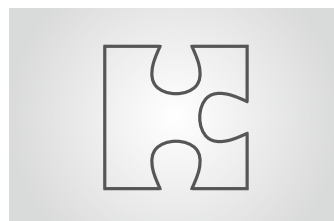
sensors monitor the users, detect unauthorised behaviour and potential interruptions and actively counteract these. The quick replacement of drive and control units guarantees high system availability.

mPass can be configured individually: visually, different colours and materials are available; technically, mPass can be adapted to the requirements through multiple applications, gantry systems and mounting options for biometric devices. Control modules offer ample space for customer equipment and data processing.



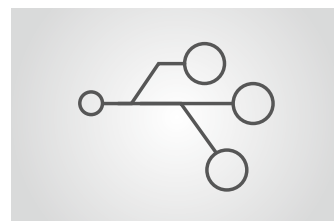
#### Rapid inspections

mPass takes security zone access control to a new level. With intuitive operation, comprehensive monitoring and high reliability, a large number of travelers can be controlled in a very short time.



#### Comprehensive customisation

Momentum<sup>®</sup> has a modular design and can therefore be flexibly adapted to the requirements on site – in terms of design and biometrics as well as integration into the airport building and its digital infrastructure.



#### Simple integration

Momentum<sup>®</sup> provides the hardware for the digital security architecture. The pedestrian gates can be equipped with all common readers and are therefore particularly easy to integrate into existing data processing and security systems.



#### Innovative drive technology

The drive and control units are Magnetic's core technology. With its low-energy approach, the Magnetic Safety Drive System MSDS<sup>®</sup> combines high efficiency and economical operation with maximum personal safety.

# mPass

## Pre-security gate

- > High passenger throughput speeds up boarding considerably
- > Seamless integration into all common airport IT infrastructures
- > Easy maintenance and retrofitting due to modular design
- > Configurable according to individual requirements
- > Maximum passenger safety due to Magnetic Safety Drive System MSDS® with low-energy drive
- > Designed for 10 000 000 opening and closing cycles



| Technical data                                 | mPass  |
|--|--|
| Application                                    | Indoor   |
| Passage width                                  | Standard: 600 mm<br>Wide lane: 900 mm<br>(more on request)                 |
| Height of barrier elements                     | Standard: 1100 mm<br>(more on request)                                     |
| Opening/closing time                           | 0.6–1.0 s <sup>1</sup>   |
| Flow ratings<br>(number of persons per minute) | 25–35 PAX/min. <sup>2</sup>  |
| Drive technology                               | MHTM™  |
| Control system                                 | MGC plus   |
| Parameter setting                              | Via API or web-UI  |
| Power consumption                              | Maximum 250 W <sup>3</sup>   |
| Housing material                               | Aluminium and sheet steel<br>powder-coated<br>Stainless steel (on request) |
| Enclosure rating                               | IP32   |
| Housing dimensions (L x H x W)                 | 1745 x 1295 x 160 mm   |
| Weight   | A unit: approx. 110 kg<br>B unit: approx. 140 kg<br>C unit: approx. 160 kg |
| Temperature range                              | 0 to +40 °C  |

<sup>1</sup> Depending on barrier element dimension; opening and closing times limited by low-energy drive and technical specifications for maximum impact forces.

<sup>2</sup> Depending on reader, lock setting, person behaviour.

<sup>3</sup> Power consumption refers exclusively to Magnetic components.

### Options

Document and bar code readers

Biometric devices

Printer

Tensator (customisation possible)

Key switch (different functional assignments possible)

Deboarding button

Buzzer for acoustic signalling

Failure locking for power failures

Uninterruptible power supply (UPS)

Guidance lights (green, orange and red)

Floor illumination

Customised glass panels (tinted/clear)

For additional options please contact your Magentic supplier.

### Potential applications



### Standard colours (special colours on request)

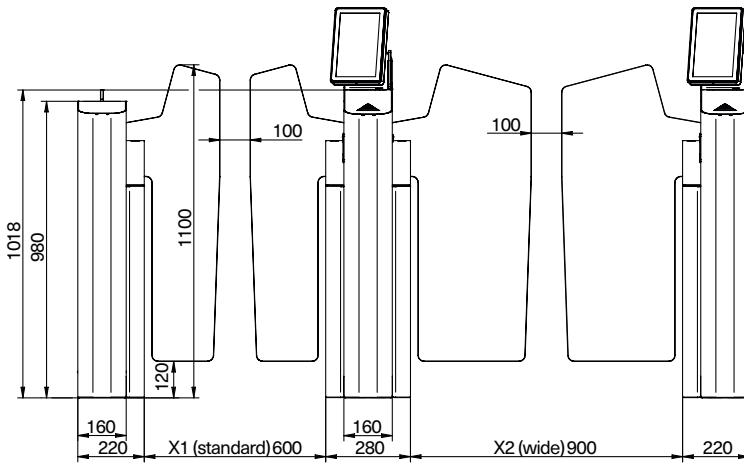


Pure white, smooth glossy  
(RAL 9010)

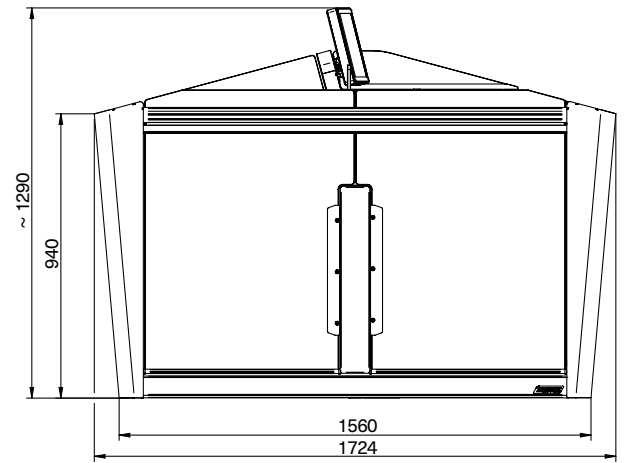


Jet black, fine structure matt  
(RAL 9005)

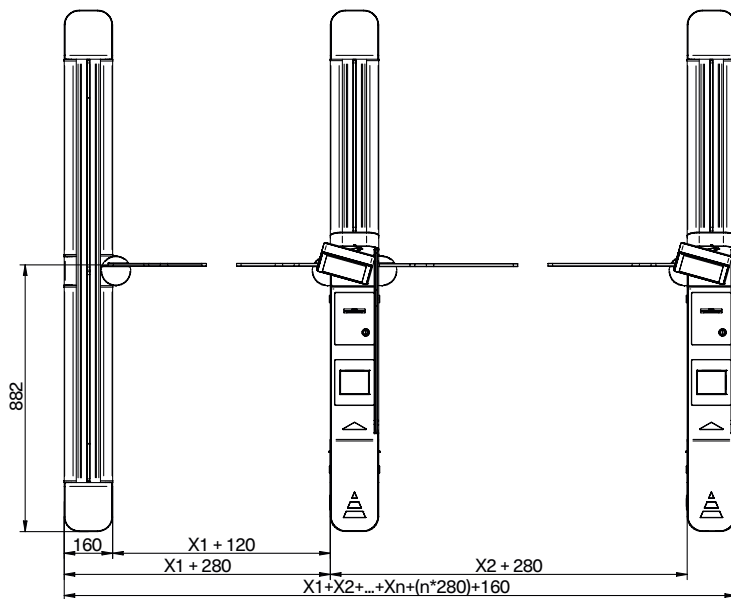
mPass (2-line configuration) – front view



mPass (2-line configuration) – side view



mPass (2-line configuration) – top view



# Access to Progress

Magnetic stands for pioneering products – in every way. Our access control systems for vehicles or pedestrians clear the way for thousands of people every day – at car parks, toll gates, stations, airports and in buildings. Our technology is also pioneering, however: with innovative drives, intelligent control systems and well thought-out details it provides maximum safety and longevity. Are you also on the path to Magnetic?



## Vehicle barriers

Access barriers  
Parking barriers  
Toll barriers  
Special barriers



## Pedestrian gates

Turnstiles  
Swing gates  
Tripod gates  
Retractable gates  
Wing gates



## Terminals

Cars  
Trucks

*Germany*  
**MAGNETIC AUTOCONTROL GMBH**  
Grienmatt 20  
79650 Schopfheim  
Phone +49 7622 695-5  
Fax +49 7622 695-800  
E-mail [info@magnetic-germany.com](mailto:info@magnetic-germany.com)

*Australia*  
**MAGNETIC AUTOMATION PTY LTD**  
38 Metrolink Circuit  
Campbellfield, VIC 3061  
Phone +61 3 9339 2900  
E-mail [info@magnetic-oz.com](mailto:info@magnetic-oz.com)

*Austria*  
**FAAC GMBH**  
Münchner Bundesstraße 123  
5020 Salzburg  
Phone +43 662 853395-0  
E-mail [at.info@faacgroup.com](mailto:at.info@faacgroup.com)

*Benelux countries*  
**FAAC BENELUX NV/SA**  
Industriezone 3B  
8490 Jabbeke  
Belgium  
Phone +32 50 320202  
E-mail [info@magnetic-benelux.com](mailto:info@magnetic-benelux.com)

**MAGNETIC AUTOCONTROL GMBH**  
[www.magnetic-access.com](http://www.magnetic-access.com)

*Brazil*  
**MAGNETIC AUTOCONTROL LTDA**  
Rua Toledo Barbosa 491.  
03061-000 Belenzinho  
São Paulo - SP - Brasil  
Phone +55 11 5660 8500  
E-mail [info@magnetic-br.com](mailto:info@magnetic-br.com)

*China*  
**MAGNETIC CONTROL SYSTEMS CO., LTD**  
No. 3 Building, No. 51  
Lane 1159, Kang Qiao (East) Road  
Kang Qiao Industrial Zone, Shanghai  
Phone +86 21 68182970  
E-mail [info@magnetic-cn.com](mailto:info@magnetic-cn.com)

*France*  
**FAAC FRANCE**  
377 Rue Ferdinand Perrier  
69808 St Priest Cedex  
Phone +33 4 72 21 86 89  
E-mail [info@magnetic-fr.com](mailto:info@magnetic-fr.com)

*India*  
**MAGNETIC FAAC INDIA PVT LTD.**  
PRS Centre  
Plot No. 373 to 376, 2nd Floor (West Wing)  
1st Cross Street, Nehru Nagar  
Old Mahabalipuram Road  
Kottivakkam (Opp Rayala Technopark,  
Perungudi)  
Chennai 600041  
Phone +91 44 421 23297  
E-mail [info@magnetic-india.com](mailto:info@magnetic-india.com)

*Ireland*  
**NATIONAL AUTOMATION LTD**  
Boyle Business Park,  
Boyle, Co. Roscommon  
F52 V590  
Phone + 353 71 9663893  
E-mail [sales@nal.ie](mailto:sales@nal.ie)

*Italy*  
**FAAC S.P.A. SOC. UNIPERSONALE**  
Via Calari, 10  
40069 Zola Predosa (BO)  
Phone +39 05161724  
E-mail [controlloaccessi@faacgroup.com](mailto:controlloaccessi@faacgroup.com)

*Middle East*  
**FAAC MIDDLE EAST FZE**  
Dubai Silicon Oasis  
PO Box 54886  
Dubai  
United Arab Emirates  
Phone +971 4 3724193  
E-mail [info@magnetic-uae.com](mailto:info@magnetic-uae.com)

*N. and S. America (excl. Brazil)*  
**FAAC INTERNATIONAL, INC**  
3160 Murrell Road  
Rockledge, FL 32955  
USA  
Phone +1 321 635 8585  
E-mail [info@magnetic-usa.com](mailto:info@magnetic-usa.com)

*Russia*  
**FAAC RUSSIA**  
111141, г. Москва,  
3-й проезд Перова Поля,  
дом 8, стр. 1  
Phone +7 (495) 646-87-40  
E-mail [info@faac.ru](mailto:info@faac.ru)

*Scandinavia*  
**FAAC NORDIC AB**  
Box 125  
284 22 Perstorp  
Sweden  
Phone +46 435 77 95 03  
E-mail [info@magnetic-nordic.com](mailto:info@magnetic-nordic.com)

*Southeast Asia*  
**MAGNETIC CONTROL SYSTEMS SDN. BHD**  
No. 17, Jalan Anggerik Mokara 31/54  
Taman Perindustrian Kota Kemuning  
40460 Shah Alam  
Selangor Darul Ehsan  
Malaysia  
Phone +60 3 5123 0033  
E-mail [info@magnetic-malaysia.com](mailto:info@magnetic-malaysia.com)

*Spain*  
**CLEM, S.A.U.**  
Avda. de la Fuente Nueva, nº 12 –  
Nave 8–18  
28703 San Sebastián de los Reyes  
Madrid  
Phone: +34 91 358 11 10  
E-mail: [info@clem.es](mailto:info@clem.es)

*United Kingdom*  
**FAAC (UK) LIMITED**  
Unit 10 The Hatch Industrial Park,  
Greywell Road,  
Mapledurwell, Basingstoke, Hampshire,  
RG24 7NG  
Phone 01256 318100  
E-mail [sales@faac.co.uk](mailto:sales@faac.co.uk)