



For fast boarding

The systematic control of boarding passes, identity documents and biometrics is an integral part of the customer journey at the airport. With the Momentum[®] series, Magnetic offers airport operators, authorities and system integrators customised gates for all touch points. They speed up checks and allow the flow of people to gain momentum. The boarding gate mGo is designed for the verification of boarding cards and biometric features and offers a separate space for an optional printer.

The acceleration takes place in several areas: the 200,000 times proven drive and control units ensure extremely low opening and

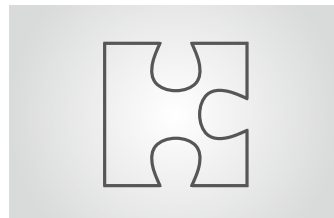
closing times for the barrier elements. A large number of light sensors monitor the users, detect unauthorised behaviour and potential interruptions and actively counteract these. The quick replacement of drive and control units guarantees high system availability.

mGo can be configured individually: visually, different colours and materials are available; technically, mGo can be adapted to the requirements through multi-lane applications, gantry systems and mounting options for biometric devices. Control modules offer ample space for customer equipment.



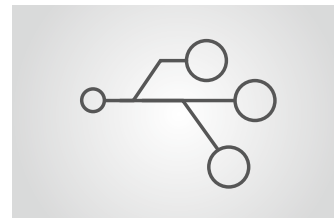
Fast boarding pass check

mGo takes boarding pass checking to a new level. With intuitive operation, comprehensive monitoring and high reliability, a large number of travellers can be checked in the shortest possible time.



Comprehensive customisation

Momentum[®] has a modular design and can therefore be flexibly adapted to the requirements on site – in terms of design and biometrics as well as integration into the airport building and its digital infrastructure.



Simple integration

Momentum[®] provides the hardware for the digital security architecture. The pedestrian gates can be equipped with all common readers and are therefore particularly easy to integrate into existing data processing and security systems.



Innovative drive technology

The drive and control units are Magnetic's core technology. With its low-energy approach, the Magnetic Safety Drive System MSDS[®] combines high efficiency and economical operation with maximum personal safety.

- > High passenger throughput speeds up boarding considerably
- > Seamless integration into all common airport IT infrastructures
- > Easy maintenance and retrofitting due to modular design
- > Configurable according to individual requirements
- > Maximum passenger safety due to Magnetic Safety Drive System MSDS® with low-energy drive
- > Designed for 10 000 000 opening and closing cycles



Technical data	mGo
Application	Indoor
Passage width	Standard: 600 mm Wide lane: 900 mm (more on request)
Height of barrier elements	Standard: 1100 mm (more on request)
Opening/closing time	0.6–1.0 s ¹
Flow ratings (number of persons per minute)	25–35 PAX/min. ²
Drive technology	MHTM™
Control system	MGC plus
Parameter setting	Via API or web-UI
Power consumption	Maximum 250 W ³
Housing material	Aluminium and sheet steel powder-coated Stainless steel (on request)
Enclosure rating	IP32
Housing dimensions (L x H x W)	1745 x 1295 x 160 mm
Weight	A unit: approx. 110 kg B unit: approx. 140 kg C unit: approx. 160 kg
Temperature range	0 to +40 °C

¹ Depending on barrier element dimension; opening and closing times limited by low-energy drive and technical specifications for maximum impact forces.

² Depending on reader, lock setting, person behaviour.

³ Power consumption refers exclusively to Magnetic components.

Options

Document and bar code readers

Biometric devices

Printer

Tensator (customisation possible)

Key switch (different functional assignments possible)

Deboarding button

Buzzer for acoustic signalling

Failure locking for power failures

Uninterruptible power supply (UPS)

Guidance lights (green, orange and red)

Floor illumination

Customised glass panels (tinted/clear)

For additional options please contact your Magnetic supplier.

Potential applications



Standard colours (special colours on request)

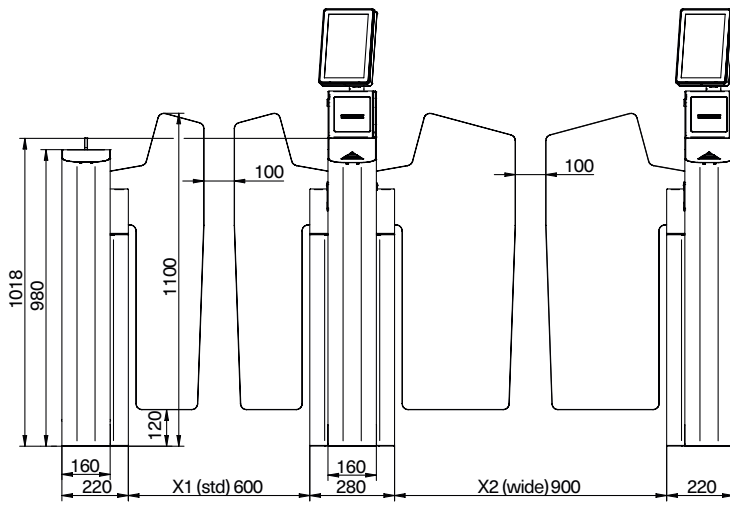


Pure white, smooth glossy
(RAL 9010)

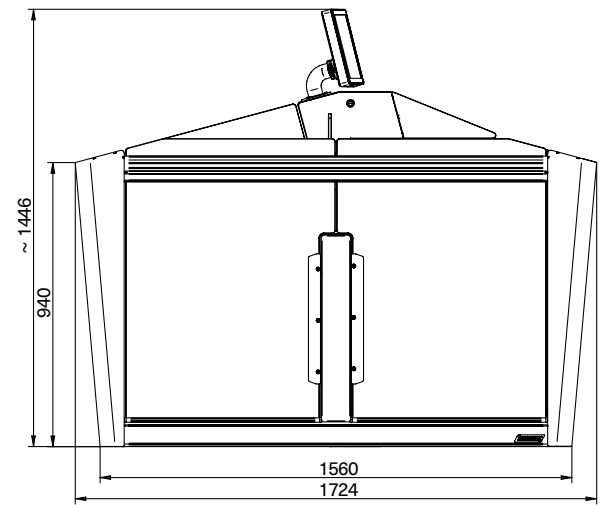


Jet black, fine structure matt
(RAL 9005)

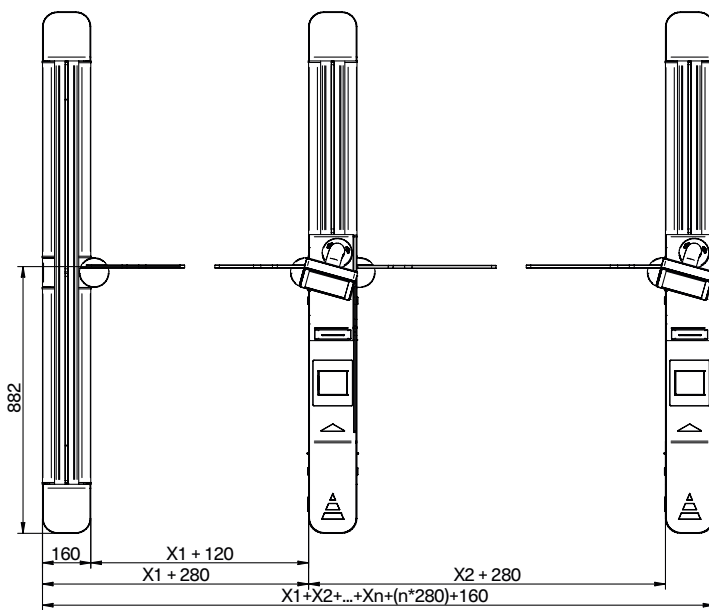
mGo (2-line configuration) – front view



mGo (2-line configuration) – side view



mGo (2-line configuration) – top view



Access to Progress

Magnetic stands for pioneering products – in every way. Our access control systems for vehicles or pedestrians clear the way for thousands of people every day – at car parks, toll gates, stations, airports and in buildings. Our technology is also pioneering, however: with innovative drives, intelligent control systems and well thought-out details it provides maximum safety and longevity. Are you also on the path to Magnetic?



Vehicle barriers

Access barriers
Parking barriers
Toll barriers
Special barriers



Pedestrian gates

Turnstiles
Swing gates
Tripod gates
Retractable gates
Wing gates



Terminals

Cars
Trucks

Germany
MAGNETIC AUTOCONTROL GMBH
Grienmatt 20
79650 Schopfheim
Phone +49 7622 695-5
Fax +49 7622 695-800
E-mail info@magnetic-germany.com

Australia
MAGNETIC AUTOMATION PTY LTD
38 Metrolink Circuit
Campbellfield, VIC 3061
Phone +61 3 9339 2900
E-mail info@magnetic-oz.com

Austria
FAAC GMBH
Münchner Bundesstraße 123
5020 Salzburg
Phone +43 662 853395-0
E-mail at.info@faacgroup.com

Benelux countries
FAAC BENELUX NV/SA
Industriezone 3B
8490 Jabbeke
Belgium
Phone +32 50 320202
E-mail info@magnetic-benelux.com

MAGNETIC AUTOCONTROL GMBH
www.magnetic-access.com

Brazil
MAGNETIC AUTOCONTROL LTDA
Rua Toledo Barbosa 491.
03061-000 Belenzinho
São Paulo - SP - Brasil
Phone +55 11 5660 8500
E-mail info@magnetic-br.com

China
MAGNETIC CONTROL SYSTEMS CO., LTD
No. 3 Building, No. 51
Lane 1159, Kang Qiao (East) Road
Kang Qiao Industrial Zone, Shanghai
Phone +86 21 68182970
E-mail info@magnetic-cn.com

France
FAAC FRANCE
377 Rue Ferdinand Perrier
69808 St Priest Cedex
Phone +33 4 72 21 86 89
E-mail info@magnetic-fr.com

India
MAGNETIC FAAC INDIA PVT LTD.
PRS Centre
Plot No. 373 to 376, 2nd Floor (West Wing)
1st Cross Street, Nehru Nagar
Old Mahabalipuram Road
Kottivakkam (Opp Rayala Technopark,
Perungudi)
Chennai 600041
Phone +91 44 421 23297
E-mail info@magnetic-india.com

Ireland
NATIONAL AUTOMATION LTD
Boyle Business Park,
Boyle, Co. Roscommon
F52 V590
Phone + 353 71 9663893
E-mail sales@na1.ie

Italy
FAAC S.P.A. SOC. UNIPERSONALE
Via Calari, 10
40069 Zola Predosa (BO)
Phone +39 05161724
E-mail controlloaccessi@faacgroup.com

Middle East
FAAC MIDDLE EAST FZE
Dubai Silicon Oasis
PO Box 54886
Dubai
United Arab Emirates
Phone +971 4 3724193
E-mail info@magnetic-uae.com

N. and S. America (excl. Brazil)
FAAC INTERNATIONAL, INC
3160 Murell Road
Rockledge, FL 32955
USA
Phone +1 321 635 8585
E-mail info@magnetic-usa.com

Russia
FAAC RUSSIA
111141, г. Москва,
3-й проезд Перова Поля,
дом 8, стр. 1
Phone +7 (495) 646-87-40
E-mail info@faac.ru

Scandinavia
FAAC NORDIC AB
Box 125
284 22 Perstorp
Sweden
Phone +46 435 77 95 03
E-mail info@magnetic-nordic.com

Southeast Asia
MAGNETIC CONTROL SYSTEMS SDN. BHD
No. 17, Jalan Anggerik Mokara 31/54
Taman Perindustrian Kota Kemuning
40460 Shah Alam
Selangor Darul Ehsan
Malaysia
Phone +60 3 5123 0033
E-mail info@magnetic-malaysia.com

Spain
CLEM, S.A.U.
Avda. de la Fuente Nueva, nº 12 –
Nave 8–18
28703 San Sebastián de los Reyes
Madrid
Phone: +34 91 358 11 10
E-mail: info@clem.es

United Kingdom
FAAC (UK) LIMITED
Unit 10 The Hatch Industrial Park,
Greywell Road,
Mapledurwell, Basingstoke, Hampshire,
RG24 7NG
Phone 01256 318100
E-mail sales@faac.co.uk